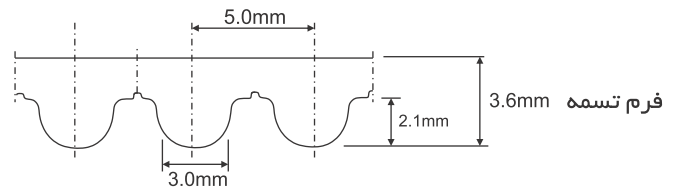
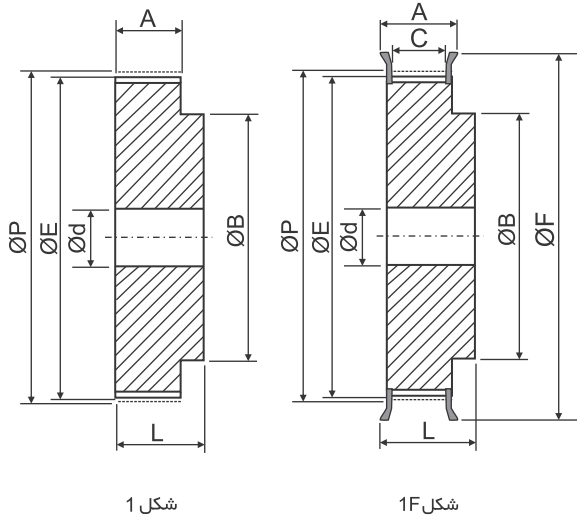


5M-15 Series



5M با گام ۵ میلیمتر برای تسمه با پهنای ۱۵ میلیمتر

Unit : mm

Part No.	Teeth No.	Fig.	ØP	ØE	ØF	A	C	L	ØB	Ød	Flange	Material
12-5M-15	12	1F	19.10	17.96	22.4	20.5	17.5	26	13	4	With Flanges	Steel
14-5M-15	14	1F	22.28	21.14	25.0	20.5	17.5	26	13	6		
15-5M-15	15	1F	23.87	22.73	28.5	20.5	17.5	26	15	6		
16-5M-15	16	1F	25.48	24.32	28.5	20.5	17.5	26	15	6		
18-5M-15	18	1F	28.65	27.51	31.8	20.5	17.5	26	19	6		
20-5M-15	20	1F	31.83	30.69	34.8	20.5	17.5	26	21	6		
21-5M-15	21	1F	33.42	32.28	38.1	20.5	17.5	26	24	6		
22-5M-15	22	1F	35.01	33.87	38.1	20.5	17.5	26	24	6		
24-5M-15	24	1F	38.20	37.06	41.4	20.5	17.5	28	26	6		
26-5M-15	26	1F	41.40	44.7	44.7	20.5	17.5	28	29	6		
28-5M-15	28	1F	44.56	43.42	47.8	20.5	17.5	28	31	6		
30-5M-15	30	1F	47.75	46.61	52.5	20.5	17.5	28	35	6		
32-5M-15	32	1F	50.93	49.79	56.0	20.5	17.5	28	37	8		
36-5M-15	36	1F	57.30	56.16	62.0	20.5	17.5	28	37	8		
40-5M-15	40	1F	63.66	62.52	70.0	20.5	17.5	28	38	8		
44-5M-15	44	1	70.03	68.89	-	20.5	-	30	38	8	Without Flanges	Aluminium
48-5M-15	48	1	76.39	75.25	-	20.5	-	30	45.10	8		
60-5M-15	60	1	95.49	94.35	-	20.5	-	30	45.10	8		
72-5M-15	72	1	114.59	113.45	-	20.5	-	30	45	8		
112-5M-15	112	1	178.25	177.11	-	20.5	-	30	65.10	8		