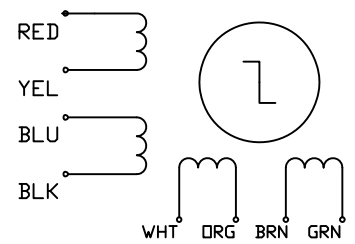


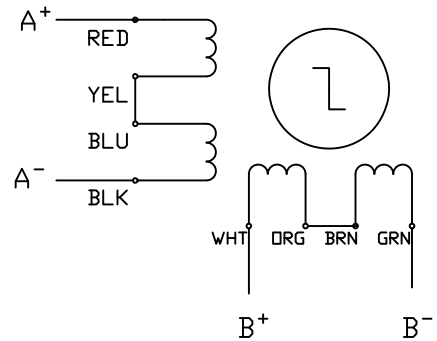
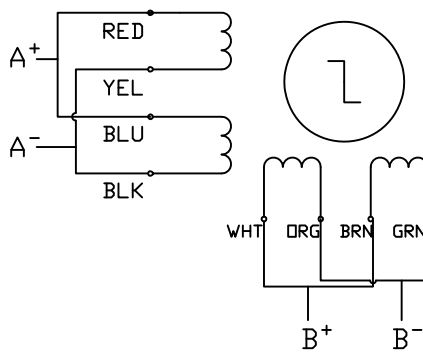
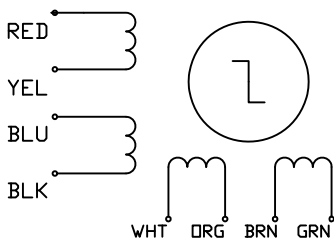
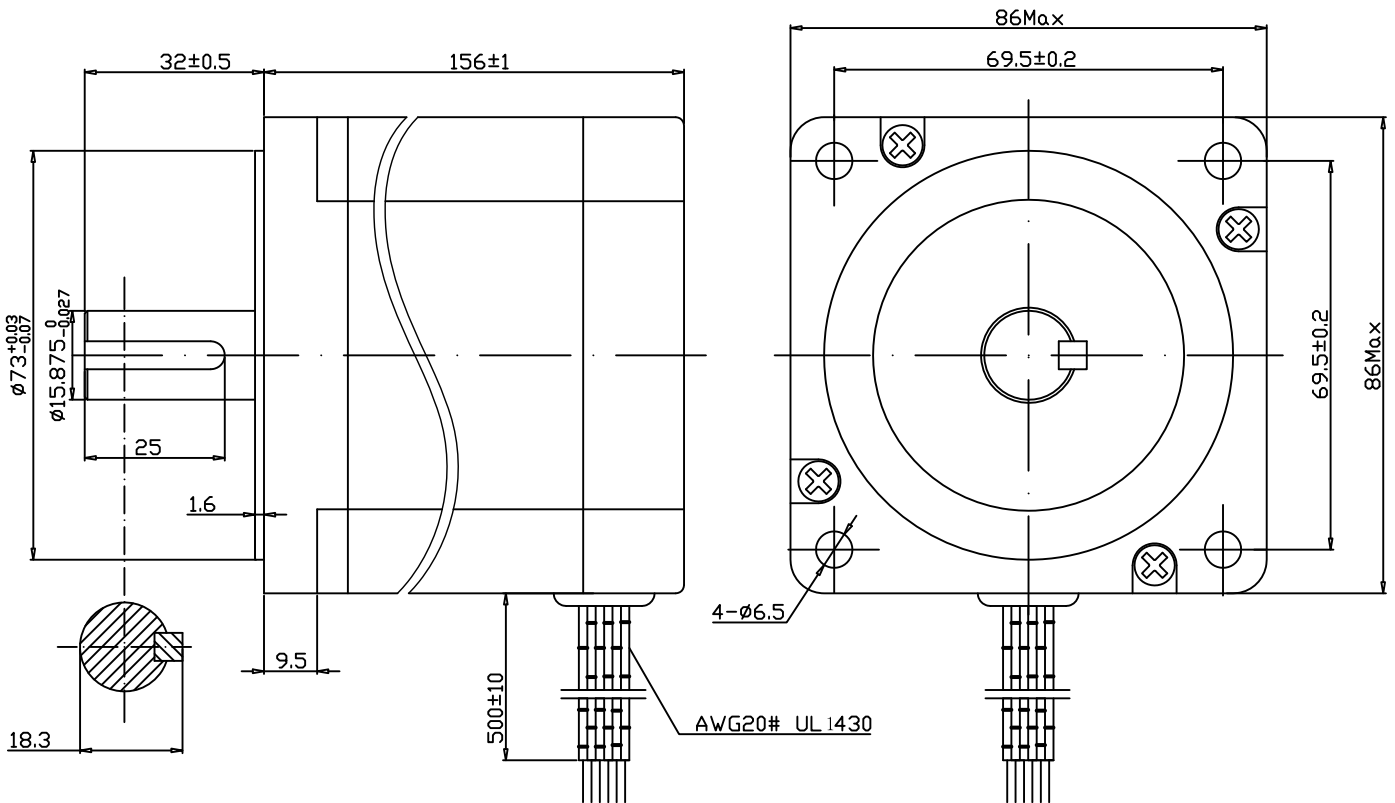
STEPPING MOTORS TYPE CW86PH120

COMMON RATINGS		SPECIFICATIONS		Wiring Diagram
STEP ANGLE	1.8°±5%	VOLTAGE	5.9V	
PHASES	4phases	CURRENT	4.2A	
INSULATION RESISTANCE	100Mohm(500VDC)	INDUCTANCE	9mH±20%	
CLASS OF INSULATION	B level	RESISTANCE	1.4Ω±10%	
		HOLDING TORQUE	110Kg. cm	



DIMENSION

units:mm



parallel

serial