

Stepping Motor

Type: CW86PH35



COMMON RATINGS

Step angle: 1.8°

Positional accuracy: ±5%

Number of Phase: 4

Temperature rise: 80°C

Inertia: xxxxx gcm²

Dielectric strength: 500VDC

Insulation resistance: 100MΩ(500VDC)

Insulating class: B

Radial play: 0.025mm max. (load 300g)

Weight: 2.0kg

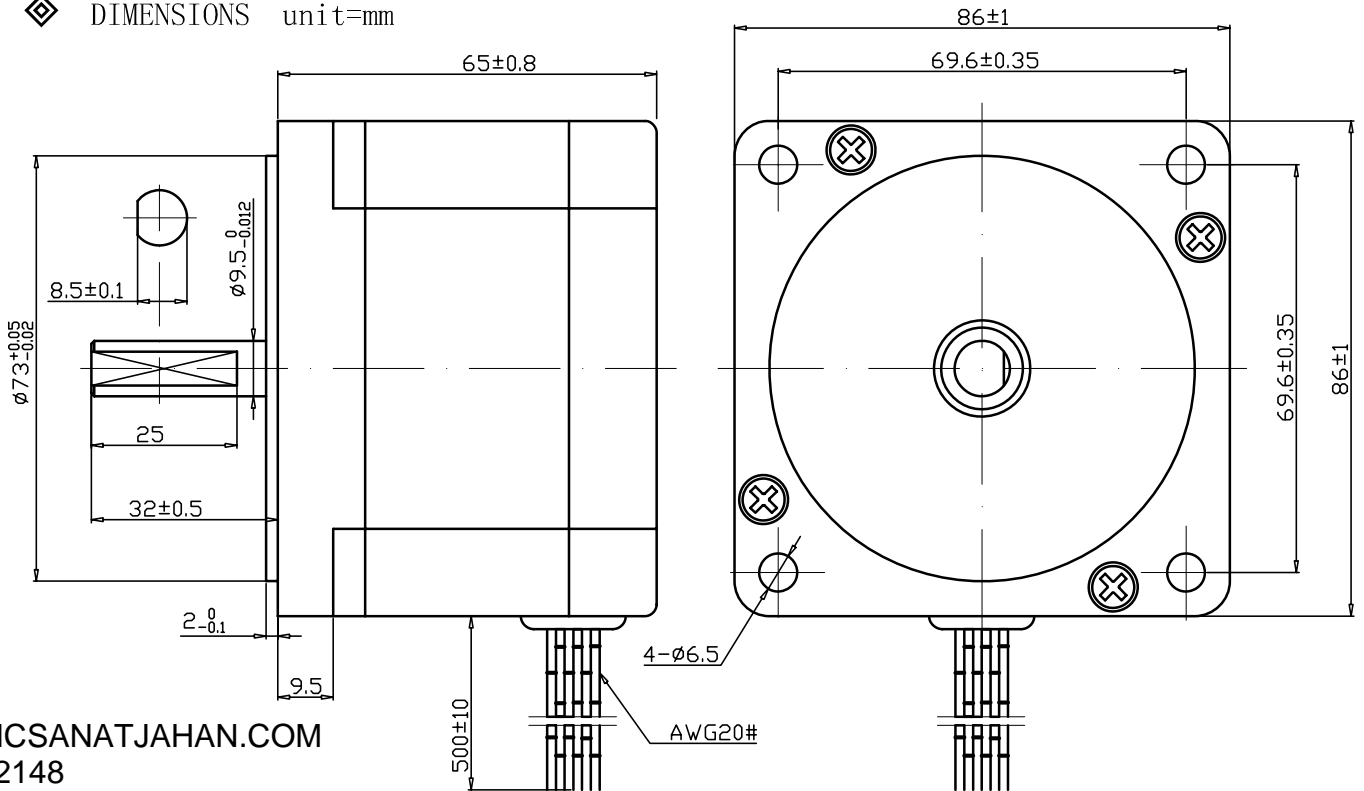


SPECIFICATIONS

	Holding Torque (2 phases on) N. cm ±10%	Rated Current/Phase (Amps DC)	Resistance/Phase (ohms) ±10%	Voltage/Phase (V DC)	Inductance/Phase (mH) ±20% Typical (1kHz)
Unipolar	250	2.7	1.2	3.24	3.5
Bipolar (Series)	350	1.91	2.4	4.58	13.6
Bipolar (Parallel)	350	3.82	0.6	2.29	3.5



DIMENSIONS unit=mm



WWW.CNCSANATJAHAN.COM
021-33932148
09101359566



WIRINGS CONNECTION DIAGRAM

