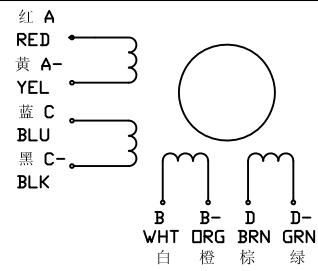


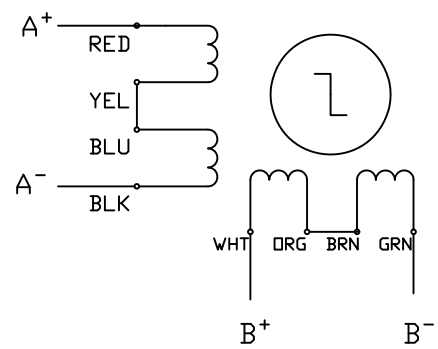
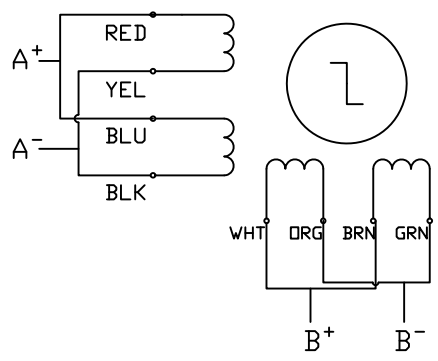
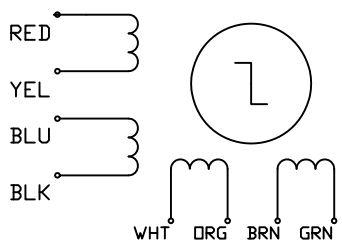
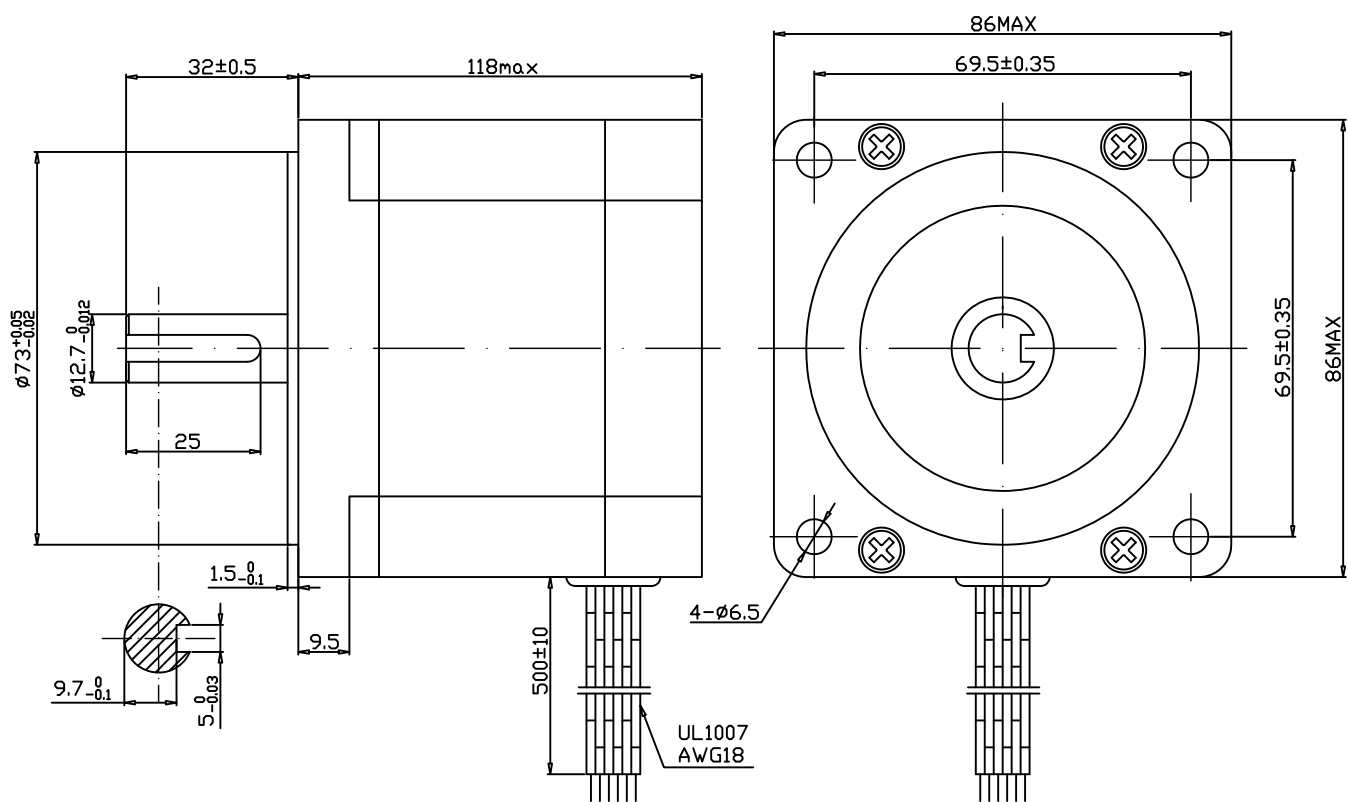
STEPPING MOTORS TYPE CW86PH85

| COMMON RATINGS | | SPECIFICATIONS | | Wiring Diagram |
|-----------------------|------------------|----------------|-----------|----------------|
| STEP ANGLE | 1.8°±5% | VOLTAGE | 4.9V | |
| PHASES | 2 phases | CURRENT | 4.9A | |
| INSULATION RESISTANCE | 100Mohm (500VDC) | INDUCTANCE | 5.2mH±20% | |
| CLASS OF INSULATION | B level | RESISTANCE | 1Ω ± 10% | |
| | | HOLDING TORQUE | 85kg.cm | |



DIMENSION

units:mm



parallel

serial