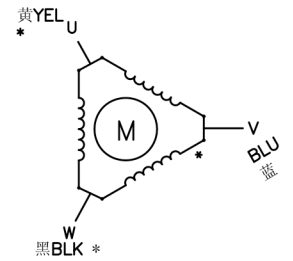


STEPPING MOTORS TYPE 57BHP80-58A-30MP

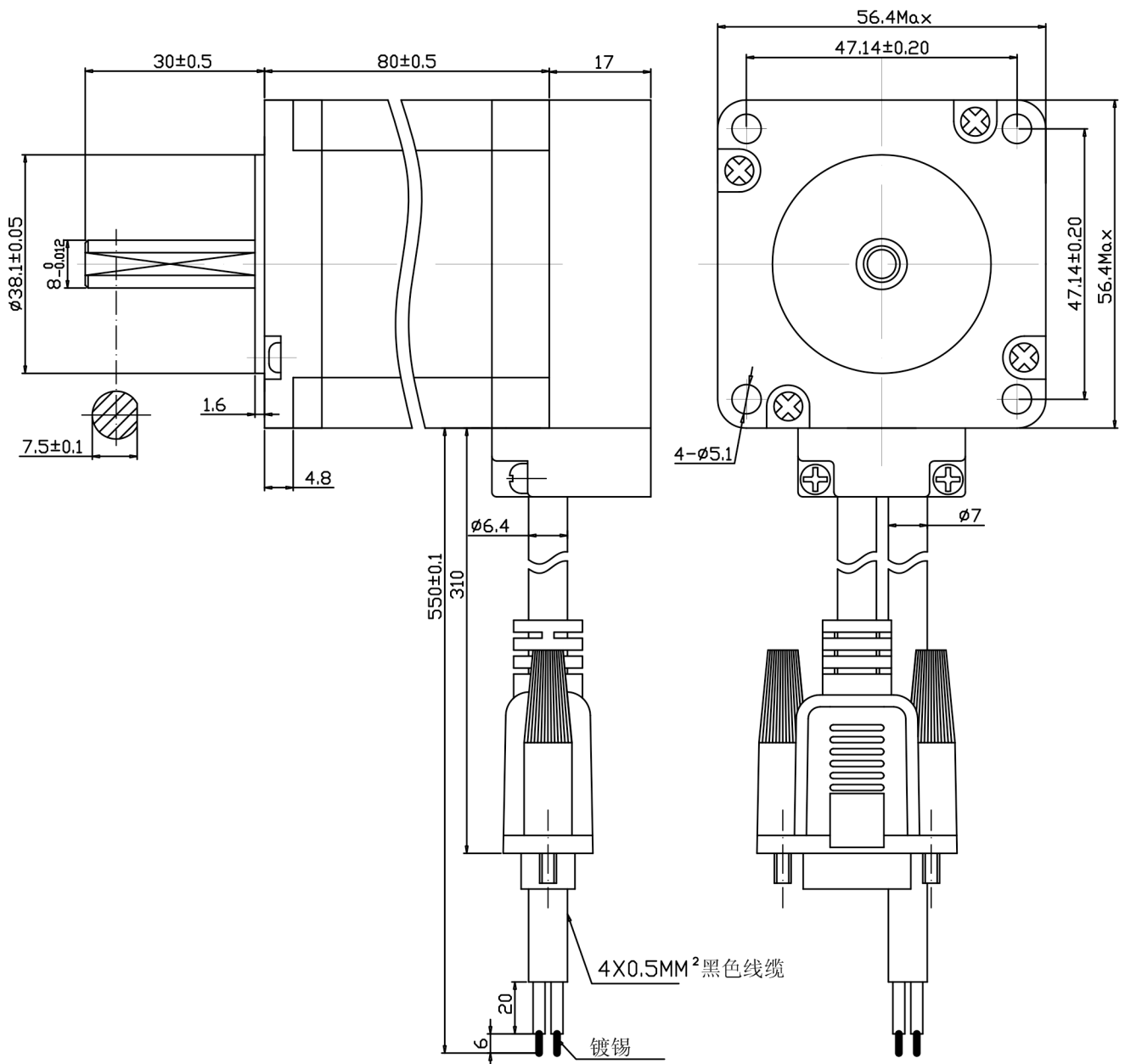
COMMON RATINGS		SPECIFICATIONS		Wiring Diagram
STEP ANGLE	1.2°±5%	VOLTAGE	3.5V	
PHASES	3phases	CURRENT	5.8A	
INSULATION RESISTANCE	100Mohm (500VDC)	INDUCTANCE	1.3mH±20%	
CLASS OF INSULATION	B level	RESISTANCE	0.6Ω±10%	
WEIGHT		HOLDING TORQUE	20Kg. cm	

Wiring Diagram



DIMENSION

units:mm



DJ. 57BHP80. 58A. 30MP