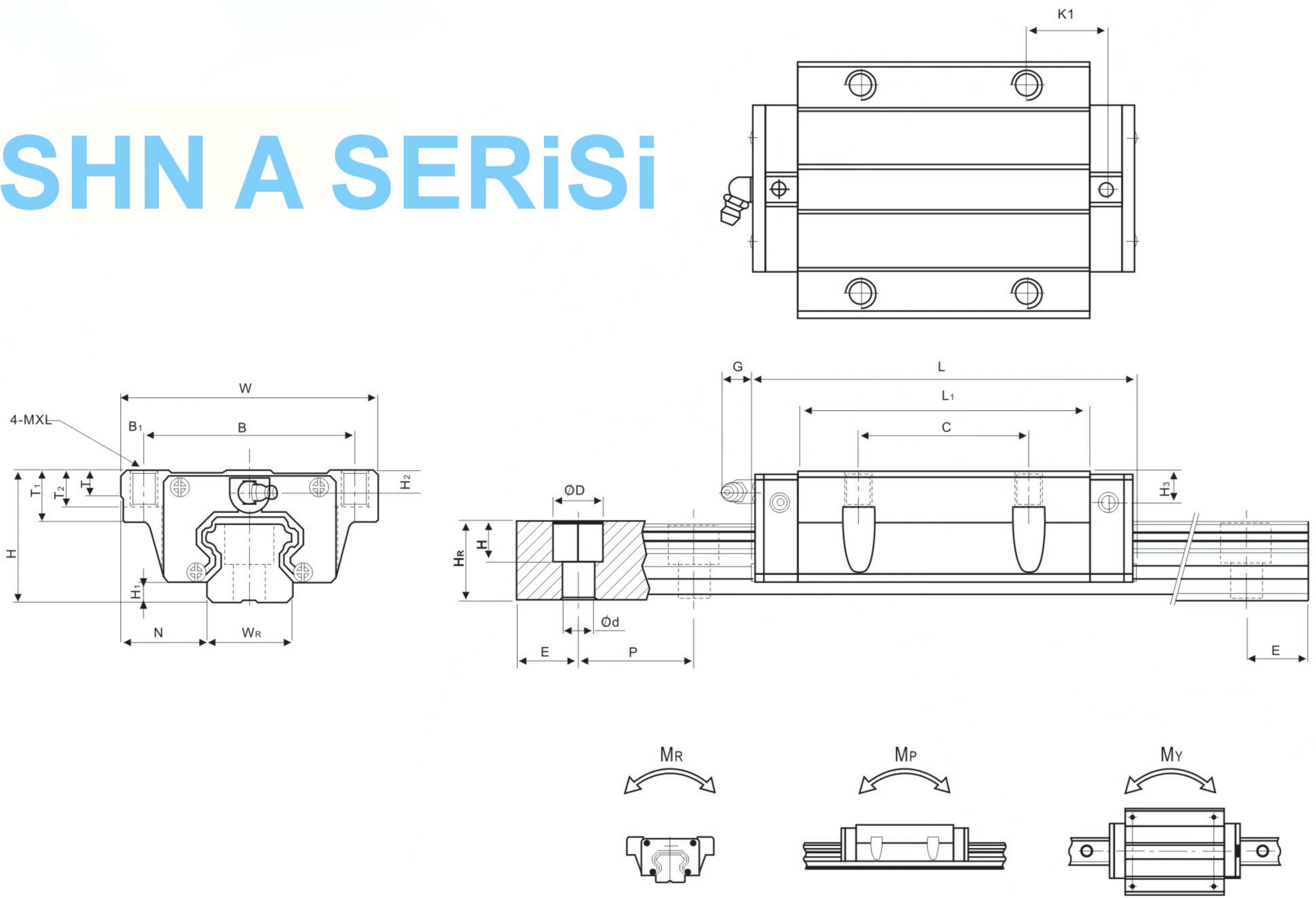


SHN A SERİSİ



ÜRÜN KODU	(mm)																											C(KN)	Co(KN)	MR kN-m	MP kN-m	MY kN-m	kg	kg/m
	H	H1	N	W	B	B1	C	L1	L	K1	G	M	T	T1	T2	H2	4MXL	WR	HR	D	h	d	P	E	(mm)									
SHN 15 A	24	4.3	16	47	38	4.5	30	39.4	61.4	8	5.3	M5	6	8.9	6.95	3.95	3.7	15	15	7.5	5.3	4.5	60	20	M4x16	11.38	25.31	0.17	0.15	0.15	0.18	1.45		
SHN 20 A	30	4.6	21.5	63	53	5	40	50.5	77.5	12.25	12	M6	8	10	9.5	6	7	20	17.5	9.5	8.5	6	60	20	M5x16	17.75	37.84	0.38	0.27	0.27	0.40	2.21		
SHN 20 AL								65.2	92.2	17.6																21.18	48.84	0.48	0.47	0.47	0.52			
SHN 25 A	36	5.5	23.5	70	57	6.5	45	58	84	11.8	12	M8	8	14	10	6	9	23	22	11	9	7	60	20	M6x20	26.78	56.19	0.64	0.51	0.51	0.59	3.21		
SHN 25 AL								78.6	104.6	22.1																32.75	76.00	0.87	0.88	0.88	0.80			
SHN 30 A	42	6	31	90	72	9	52	70	97.4	14.25	12	M10	8.5	16	10	6.5	10.8	28	26	14	12	9	80	20	M8x25	38.74	83.06	1.06	0.85	0.85	1.09	4.47		
SHN 30 AL								93	120.4	25.75																47.27	110.13	1.40	1.47	1.47	1.44			
SHN 35 A	48	7.5	33	100	82	9	62	80	112.4	14.6	12	M10	10.1	18	13	9	126	34	29	14	12	9	80	20	M8x25	49.52	102.87	1.73	1.20	1.20	1.56	6.30		
SHN 35 AL								105.8	138.2	27.5																60.21	136.31	2.29	2.08	2.08	2.06			
SHN 45 A	60	9.5	37.5	120	100	10	80	97	139.4	13	12.9	M12	15.1	22	15	8.5	20.5	45	38	20	17	14	105	22.5	M12x35	77.57	155.93	3.01	2.35	2.35	2.79	10.41		
SHN 45 AL								128.8	171.2	28.9																94.547	207.12	4.00	4.07	4.07	3.69			

1kgf=9.81N

WWW.CNCSANATJAHAN.COM

021-33932148

09101359566