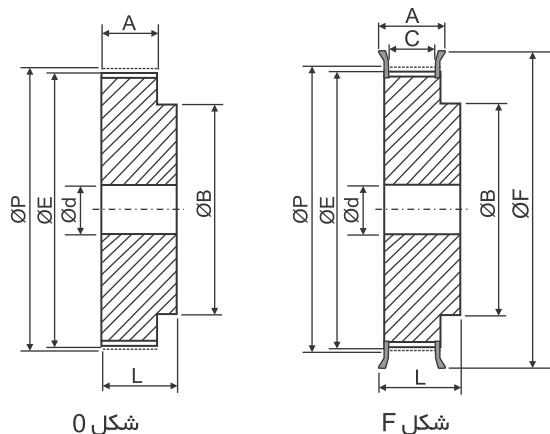
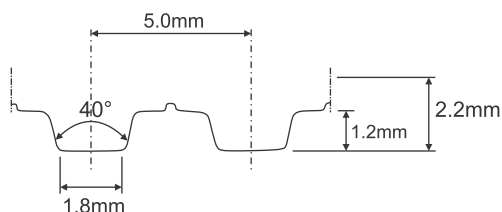


## T5-21 Series



شکل 0

شکل F



فرم تسمه

T5 با گام ۵ میلیمتر برای تسمه با پهنای ۱۰ میلیمتر

Unit : mm

| Part No. | Teeth No. | Fig. | ØP    | ØE    | ØF   | A  | C  | L  | ØB | Ød | Flange             | Material  |
|----------|-----------|------|-------|-------|------|----|----|----|----|----|--------------------|-----------|
| 21T5-10  | 10        | F    | 15.92 | 15.05 | 20.6 | 15 | 12 | 21 | 8  | 4  | With<br>Flanges    | Aluminium |
| 21T5-12  | 12        | F    | 19.10 | 18.25 | 22.2 | 15 | 12 | 21 | 11 | 4  |                    |           |
| 21T5-14  | 14        | F    | 22.28 | 21.45 | 25.3 | 15 | 12 | 21 | 13 | 6  |                    |           |
| 21T5-15  | 15        | F    | 23.87 | 23.05 | 28.5 | 15 | 12 | 21 | 9  | 6  |                    |           |
| 21T5-16  | 16        | F    | 25.46 | 24.60 | 30.0 | 15 | 12 | 21 | 18 | 6  |                    |           |
| 21T5-18  | 18        | F    | 28.65 | 27.80 | 35.0 | 15 | 12 | 21 | 11 | 6  |                    |           |
| 21T5-19  | 19        | F    | 30.24 | 29.40 | 35.0 | 15 | 12 | 21 | 22 | 6  |                    |           |
| 21T5-20  | 20        | F    | 31.83 | 31.00 | 38.0 | 15 | 12 | 21 | 11 | 6  |                    |           |
| 21T5-22  | 22        | F    | 35.01 | 34.21 | 40.0 | 15 | 12 | 21 | 24 | 6  |                    |           |
| 21T5-24  | 24        | F    | 38.20 | 37.40 | 41.4 | 15 | 12 | 21 | 24 | 6  |                    |           |
| 21T5-25  | 25        | F    | 39.79 | 39.00 | 44.7 | 15 | 12 | 21 | 26 | 6  |                    |           |
| 21T5-26  | 26        | F    | 41.38 | 40.58 | 47.8 | 15 | 12 | 21 | 26 | 6  |                    |           |
| 21T5-27  | 27        | F    | 42.97 | 42.20 | 47.8 | 15 | 12 | 21 | 30 | 8  |                    |           |
| 21T5-28  | 28        | F    | 44.56 | 43.76 | 47.8 | 15 | 12 | 21 | 32 | 8  |                    |           |
| 21T5-30  | 30        | F    | 47.75 | 46.95 | 52.0 | 15 | 12 | 21 | 34 | 8  |                    |           |
| 21T5-32  | 32        | F    | 50.93 | 50.10 | 56.0 | 15 | 12 | 21 | 38 | 8  |                    |           |
| 21T5-36  | 36        | F    | 57.30 | 56.45 | 62.0 | 15 | 12 | 21 | 38 | 8  |                    |           |
| 21T5-40  | 40        | F    | 63.66 | 62.85 | 67.0 | 15 | 12 | 21 | 40 | 8  |                    |           |
| 21T5-42  | 42        | F    | 66.84 | 66.04 | 74.5 | 15 | 12 | 21 | 40 | 8  |                    |           |
| 21T5-44  | 44        | 0    | 70.03 | 69.23 | -    | 15 | -  | 21 | 45 | 8  |                    |           |
| 21T5-48  | 48        | 0    | 76.39 | 75.55 | -    | 15 | -  | 21 | 50 | 8  | Without<br>Flanges |           |
| 21T5-60  | 60        | 0    | 95.49 | 94.65 | -    | 15 | -  | 21 | 65 | 8  |                    |           |