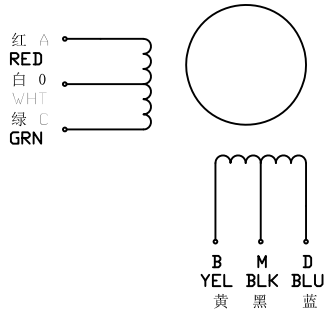
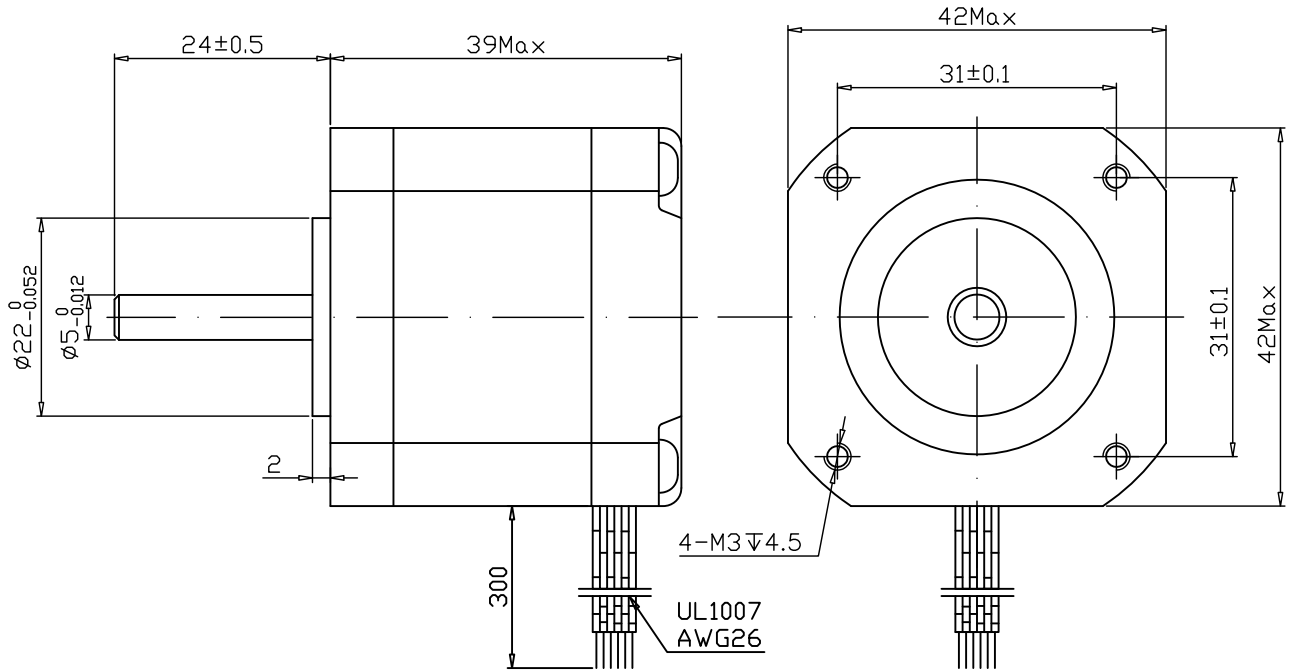


接线图
Wiring Diagram



规格 SPECIFICATIONS

1	相数 Number of Phase	4
2	步距角 Step Angle	1.8° ±5%
3	保持力矩 Holding Torque	2.2 kg·cm
4	电压 Voltage	9.0 VDC
5	电流 Current	0.3 A
6	相电阻 Phase Resistance (20°C)	30 ± 10% Ω
7	相电感 Phase Inductance (1KHz)	25 ± 20% mH
8	转子惯量 Rotor Inertia	g · cm ²
9	绝缘电阻 Insulation Resistance	100M Ω 500VDC
10	绝缘等级 Insulation Class	B (130°C)
11	环境温度 Ambient Temperature	-20°C to 50°C
12	环境湿度 Ambient Humidity	15% to 95%
13	电机重量 Motor Weight	Approx 0.24 kg
14		



励磁顺序 (2相励磁)

EXITING SEQUENCE (2 PHASE)

STEP	A	B	\bar{A}	\bar{B}	CCW
1	+	+	-	-	↑
2	-	+	+	-	
3	-	-	+	+	
4	+	-	-	+	↓

原型号: 42BYGH3916-02

NOTE: This document is released for information only. Its reproduction in whole or in part or its dissemination to third parties is prohibited. Unless otherwise specified all trademarks and registered trademarks appearing on this document are the property of Changzhou Chuangwei Motor & Electric Apparatus Co., Ltd.

			Unit:mm 第一角画法 First angle method 未注线性与角度尺寸公差 Tolerances for linear and angular dimensions without individual tolerance indications GB/T 1804-m eqv ISO 2768-1:m 未注形状与位置尺寸公差 Geometrical tolerances for features without individual tolerance indications GB/T 1184-k eqv ISO 2768-2:k	设计 DESIGN 校核 CHECK 工艺 TECHNOLOGY 标准化 STANDARD 批准 APPROVE	xie XH	20060121 20160606	CW-motor 	常州创伟电机电器有限公司 Changzhou Chuangwei Motor & Electric Apparatus Co., Ltd	TYPE: HYBRID STEPPING MOTOR	SCALE XX	Rev. 2.0	SHEET 1 OF 1
6	V2.0	HTPS1606041	20160606									
	V1.0	xxx	20060121									
	REV.	版本记录 REVISION RECORD	DATE	UNLESS OTHERWISE SPECIFIDE	NAMES	SINGATURE	DATE	Model:	42BHH39-030-24			